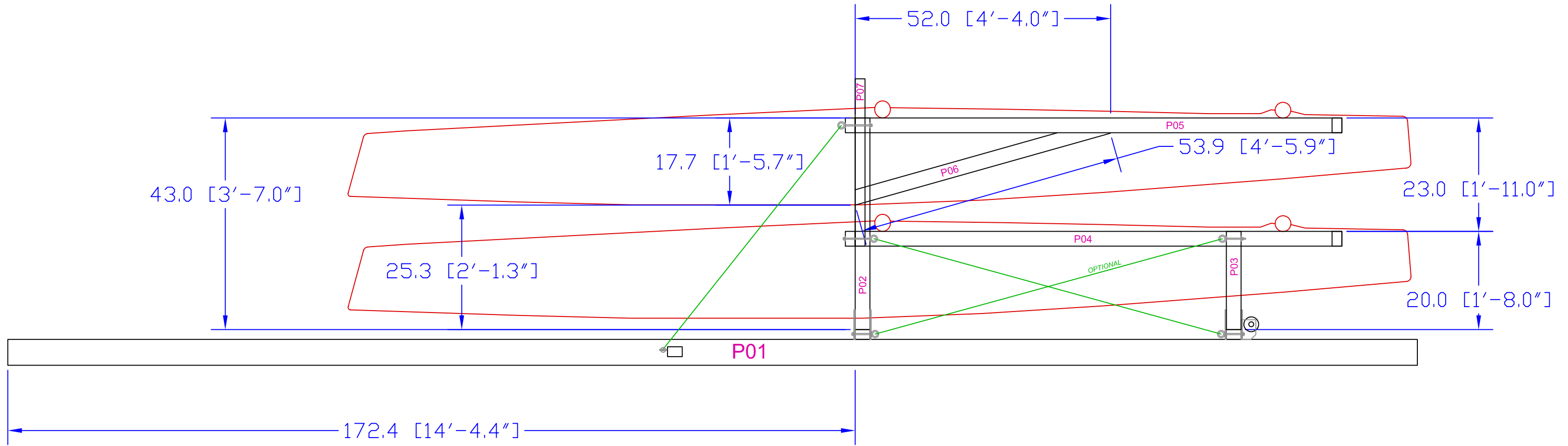
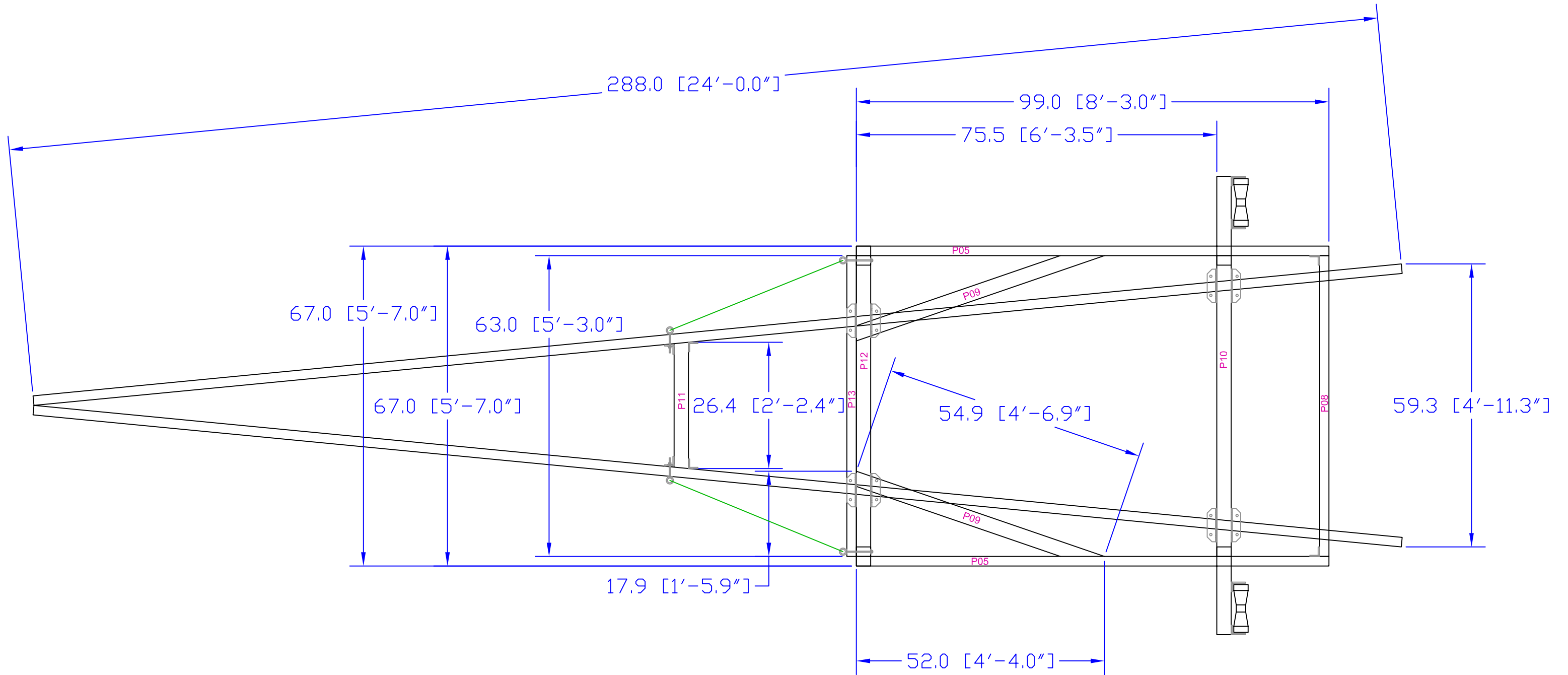


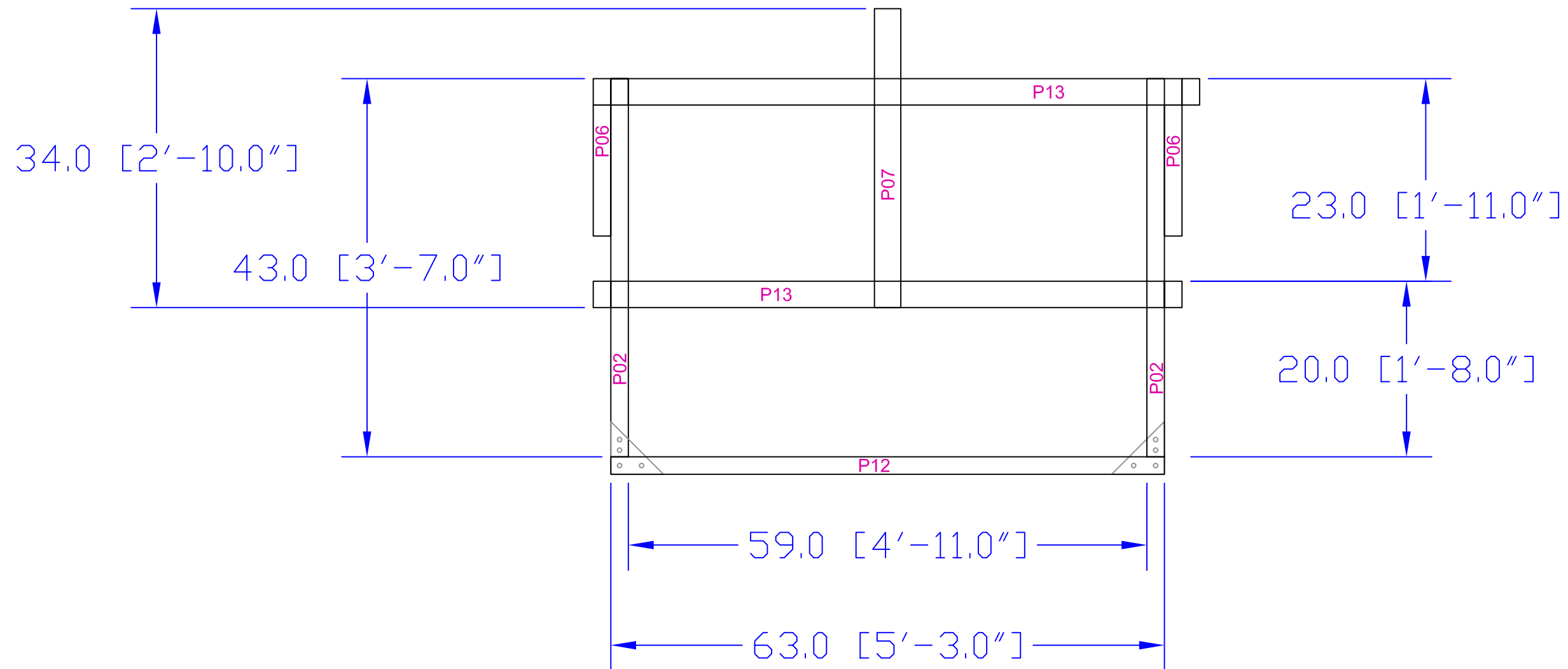
# Side View



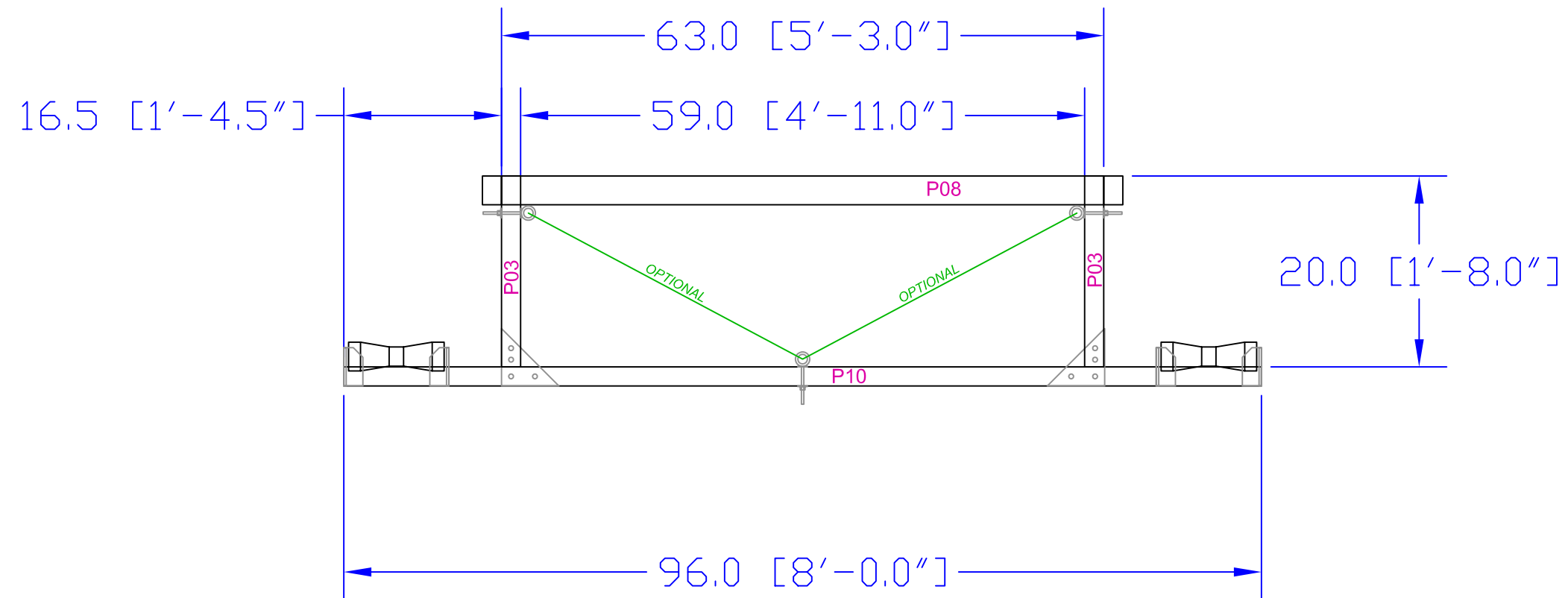
# Top View



# Front Cross Member



# Rear Cross Member



Component ID	Quantity	Description	Extrusion Size	Length (inches)	Length (feet/inches)	Total Length (inches)	Total Length (feet)
P01	2	Trailer Frame Beams	2" x 5"	288.000	24' - 00.0"	576.000	24.000
P02	2	Front Cross Member Upright	2" x 3"	43.000	3' - 07.0"	86.000	7.167
P03	2	Rear CrossMember Upright	2" x 3"	20.000	1' - 08.0"	40.000	3.333
P04	2	Lower Boat Support Rails	2" x 5"	99.000	8' - 03.0"	198.000	16.500
P05	2	Upper Boat Support Rails	2" x 3"	99.000	8' - 03.0"	198.000	16.500
P06	2	Upper Boat Rail Vertical Support	2" x 3"	53.900	4' - 05.9"	107.800	8.983
P07	1	Center Mast Clamp Column	2" x 3"	34.000	2' - 10.0"	34.000	2.833
P08	2	Horizontal Boat Rail Brace	2" x 3"	63.000	4' - 03.0"	126.000	10.500
P09	2	Upper Boat Rail Lateral Support	2" x 3"	53.900	4' - 05.9"	107.800	8.983
P10	1	Rear CrossMember	2" x 3"	96.000	8' - 00.0"	96.000	8.000
P11	1	Optional Torsion Frame Brace	2" x 3"	26.400	2' - 02.4"	26.400	2.200
P12	1	Front Cross Member	2" x 3"	63.000	4' - 03.0"	63.000	5.250
P13	2	Front Cross Member Horizontal Brace	2" x 3"	63.000	4' - 03.0"	126.000	10.500
Total 2" x 3" Extrusion Length						<b>1209.000</b>	<b>100.750</b>
Total 2" x 5" Extrusion Length						<b>576.000</b>	<b>24.000</b>